

RM33 BLIZZARD



The thirst quenchers!™



- ✓ **NEW IP33 RATING**
- ✓ **Designed in Australia by Waterworks®**
- ✓ **100% rust proof cabinet**
- ✓ **Impact resistant construction**
- ✓ **30L of chilled water per hour**
- ✓ **Optional bottle filler**
- ✓ **Optional filtration**
- ✓ **Expansion valve to protect from mains water pressure surges**
- ✓ **12 Month comprehensive warranty**

FILTRATION OPTIONS

TWIST & TURN TWIN FILTRATION

SEDIMENT CARTRIDGE

- Flow rate 2L per minute
- 5 Micron Polypropylene pre filter for the removal of dirt sediment, rust and particles.
- Filter replacement - 1900L or 6 months. Which ever occurs first.

CARBON BLOCK

- 5 Micron Silver impregnated carbon block for chemical, taste and odour removal. (1 Micron also available)
- Flow rate 2L per minute
- Filter replacement - 1900L or 6 months. Which ever occurs first



TRIPLE FILTRATION OPTION ALSO AVAILABLE

RM33 BLIZZARD

RUST PROOF CABINET

The new IP33 rating gives extra protection against dust, dirt and moisture, making the RM33 Blizzard perfect for construction sites, schools and mines.

TANK

1.9litre stainless steel tank.

SERVICE ACCESS

The front access panel is secured with four concealed stainless steel screws. Removal of this panel provides access for any purpose including service, maintenance and filter replacement.

VANDAL RESISTANCE

The RM33 Blizzard has a one piece rota moulded polyethylene cabinet which can be easily anchored to almost any surface. Along with the internally fitted drain, this provides unequalled vandal resistance.

OPTIONAL FEATURES:

FILTRATION

An internal or external Waterworks filter will reduce sediment, chemicals, organic compounds and impurities which can adversely affect the quality and taste of your drinking water. If a filter is required, please specify on order.

TEMPORARY DRAIN KIT

1.5mtr temporary drain kit is available for temporary installations such as construction sites.

INSTALLATION CONNECTIONS:

ELECTRICAL

A 1.5 metre power cord with standard 3 pin plug is provided. Power consumption Ambient Temp 25deg. (kw.h/24h) 0.044. **Power cord inlet 300mm from base on rear of unit.**

WATER INLET

The inlet is an industry standard 1/2" female BSP threaded connection situated on the rear of the cooler, (see installation instructions for exact rough in details).

DRAIN OUTLET

The drain outlet and integrated p-trap provide an industry standard 40mm connection situated on the rear of the cooler. (see installation instructions for exact rough in details).

A 350kPa PRESSURE LIMITING VALVE MUST BE FITTED UPON INSTALLATION OR WARRANTY WILL BE VOID

WARRANTY:

The warranty provides comprehensive parts and labour coverage for the period of 12 months from the date of original sale.

SHIPPING DETAILS

PACKED WEIGHT: 28kg

PACKED VOLUME: 0.208M3

PACKED DIMENSIONS: 420mmW x 420mmD x 1180mmH

ORDERING CODES:

| CODE | DESCRIPTION |
|--------|---|
| RM33 | RM Blizzard with bubbler tap only |
| RM33GF | RM Blizzard with bubbler tap and glass filler |

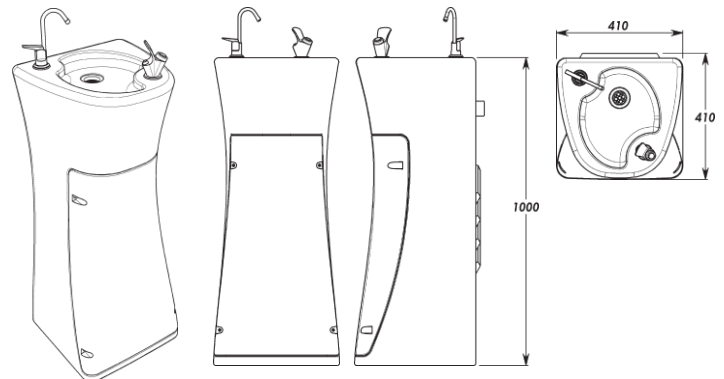
CAPACITY:

| MODEL NUMBER | AMBIENT TEMP | INLET TEMP | LITRES/HR 10°C WATER | RESERVOIR VOLUME |
|--------------|--------------|------------|----------------------|------------------|
| RM33 | 32°C | 27°C | 30 LPH | 1.9 Litre |

* Based on intermittent use under environmental conditions of ARI Standard 1010 and installation requirements of ARI Standard 1020.

** Due to our policy of continuous development, specifications are subject to change without notice.

*** Colour is as close to actual as printing processes allow.



INLET:
860mm ABOVE BASE
100mm LEFT OF CENTRE LINE
(from back)

OUTLET:
860mm ABOVE BASE
30mm LEFT OF CENTRE LINE
(from bac)



Distributed by...

Awesome Water Mackay

0401 441 291

www.awesomewatermackay.com

info@awesomewatermackay.com

Waterworks Australia

ABN 91 902 793 936

48-50 Neumann Road Capalaba Queensland 4157

Bulk Warehouse: 53 Neumann Road Capalaba Queensland 4157

Phone (07) 3390 3777

Email sales@waterworksaustralia.com

www.waterworksaustralia.com

